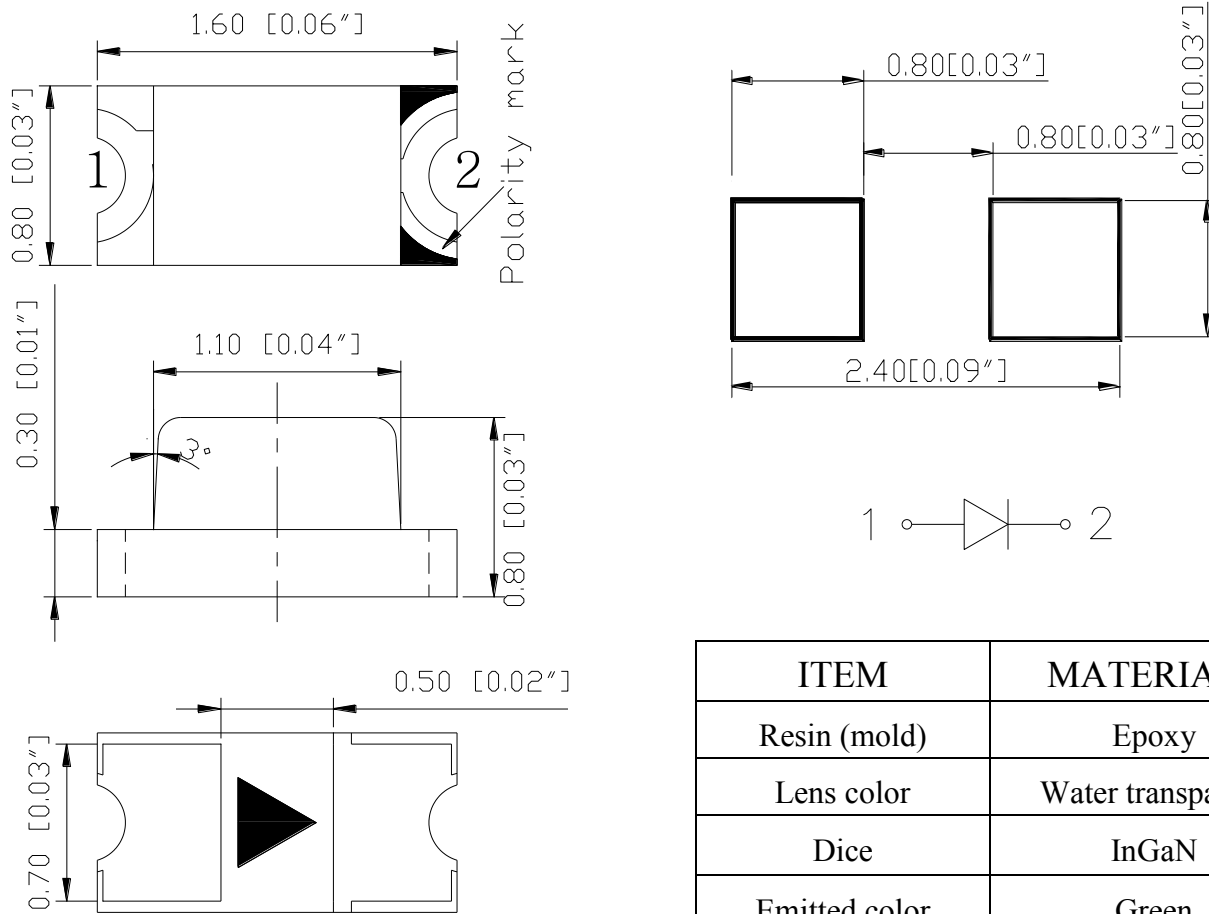


SPECIFICATION
CS63BGT2C
PACKAGE OUTLINES


| ITEM | MATERIALS |
|---------------|-------------------|
| Resin (mold) | Epoxy |
| Lens color | Water transparent |
| Dice | InGaN |
| Emitted color | Green |

Notes:

1. All dimensions are in millimeters (inches).
2. Tolerance is $\pm 0.25\text{mm}$ (0.01") unless otherwise noted.
3. Specifications are subject to change without notice.

| Part Number | Chip Material | Color of Emission | Lens Type | Viewing Angle |
|-------------|---------------|-------------------|-------------|---------------|
| CS63BGT2C | InGaN | Green | Water Clear | 140° |



ChromeLED Corp. reserves the right to make changes at any time in order to supply the best product possible. The most current version of this document will always be available at: www.chromeled.com

ABSOLUTE MAXIMUM RATINGS
(TA=25°C)

| Parameter | Symbol | Max Rating | Unit |
|--|--------|--------------------------|------|
| Forward Current | IF | 30 | mA |
| Reverse Current @ 5V | IR | 10 | μA |
| Power Dissipation | Pd | 111 | mW |
| Operating Temperature Range | TOP | -40~+85 | °C |
| Storage Temperature Range | TSTG | -40~+85 | °C |
| Peak Pulsing Current (1/10 duty f = 10KHz) | IFP | 30 | mA |
| Soldering Temperature | TSOL | Max 260°C for 10 sec Max | |

OPTICAL-ELECTRICAL CHARACTERISTICS
(TA=25°C)

| Parameter | Symbol | Test Condition | Value | | | Unit |
|-------------------------|--------|----------------|-------|-----|-----|------|
| | | | Min | Typ | Max | |
| Luminous Intensity | Iv | IF = 20mA | 320 | 470 | - | mcd |
| Forward Voltage | VF | IF = 20mA | - | 3.1 | 3.7 | V |
| Reverse Leakage Current | IR | VR = 5V | - | 10 | - | μA |
| Viewing Angle at 50% Iv | 2θ1/2 | IF = 20mA | - | 140 | - | Deg |
| Peak Wavelength | λP | IF = 20mA | - | 520 | - | nm |
| Dominant Wavelength | λD | IF = 20mA | 520 | 525 | 530 | nm |

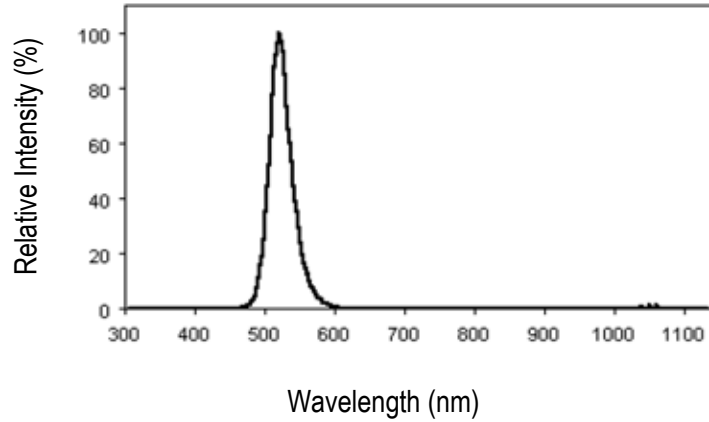
*Tolerance of viewing angle: -10 / +5 deg.



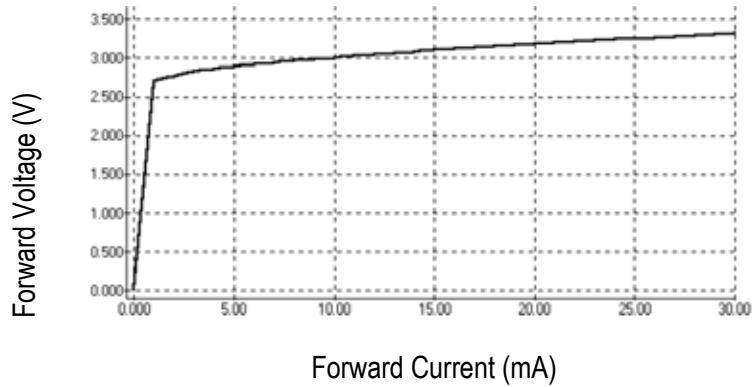
ChromeLED Corp. reserves the right to make changes at any time in order to supply the best product possible. The most current version of this document will always be available at: www.chromeled.com

OPTICAL CHARACTERISTIC CURVES

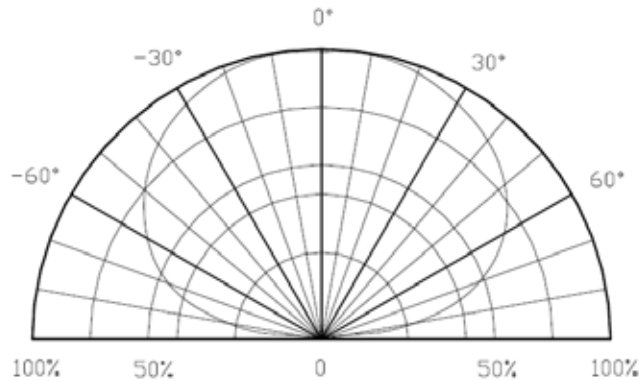
Relative Intensity vs. Wavelength



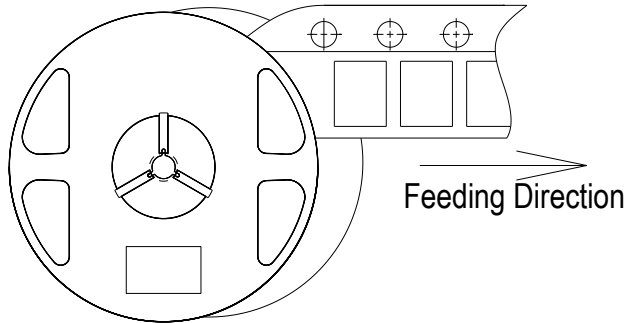
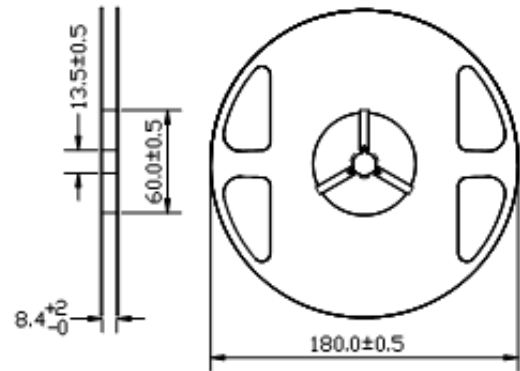
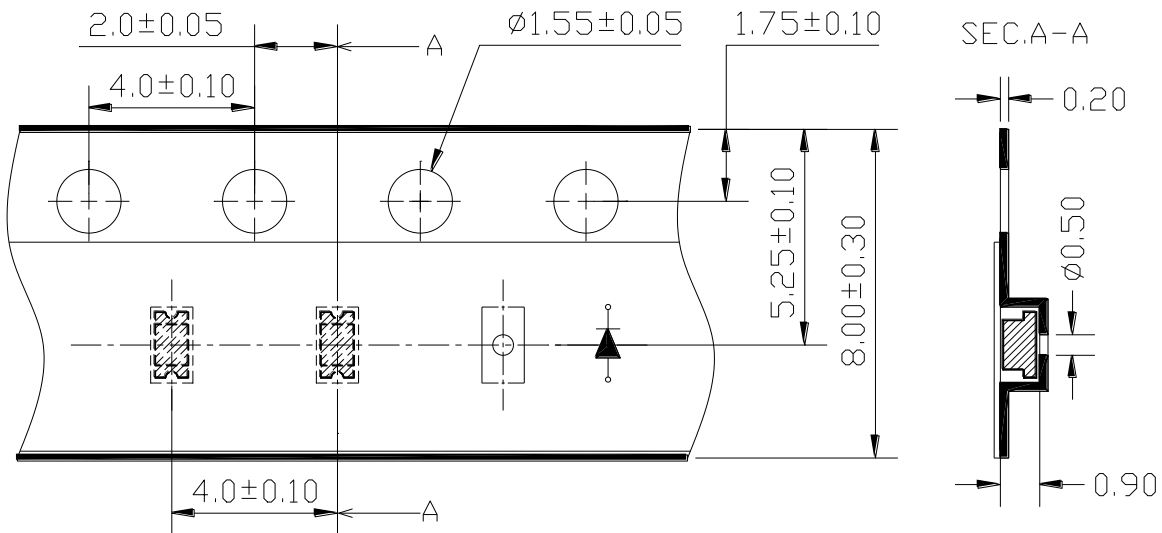
Forward Current vs. Forward Voltage



Directive Characteristics



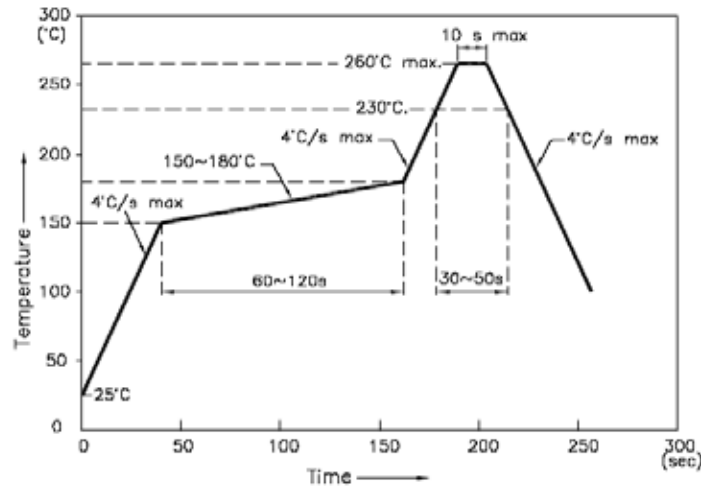
ChromeLED Corp. reserves the right to make changes at any time in order to supply the best product possible. The most current version of this document will always be available at: www.chromeled.com

PACKAGING SPECIFICATION
● Feeding Direction

● Dimensions of Reel (Unit: mm)

● Dimensions of Tape (Unit: mm)

Notes:

1. Empty component pockets are sealed with top cover tape;
2. The maximum number of missing lamps is two;
3. The cathode is oriented towards the tape sprocket hole.
4. 4,000pcs/Reel



ChromeLED Corp. reserves the right to make changes at any time in order to supply the best product possible. The most current version of this document will always be available at: www.chromeled.com

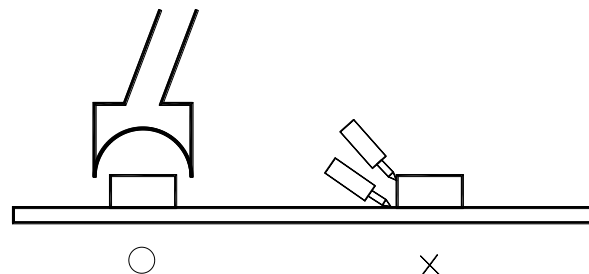
SOLDERING CONDITIONS

NOTES:

1. We recommend the reflow temperature 245°C (±5°C).the maximum soldering temperature should be limited to 260°C.
2. Don't cause stress to the epoxy resin while it is exposed to high temperature.
3. Number of reflow process shall be 2 times or less.

- Soldering iron
- Basic spec is ≤ 5sec when 260°C. If temperature is higher, time should be shorter
- (+10°C → -1sec).Power dissipation of iron should be smaller than 20W, and temperatures should be controllable .Surface temperature of the device should be under 230°C .

Rework

1. Customer must finish rework within 5 sec under 260°C.
2. The head of iron cannot touch copper foil
3. Twin-head type is preferred.



ChromeLED Corp. reserves the right to make changes at any time in order to supply the best product possible. The most current version of this document will always be available at: www.chromeled.com