



THE POWER OF **CONNECTED**

Honeywell Aerospace  
12001 State Highway 55  
Plymouth, MN 55441

January 05, 2023

**Subject: Product Change Note for HMC1053 Magnetic sensor**

Dear Valued Honeywell Customer:

As you are aware, the Honeywell HMC1053 magnetic sensor has been on Production Hold due to the semiconductor supply chain challenges. Due to a component obsolescence, Honeywell has undertaken a design update and is moving forward with qualification efforts.

Due to the component obsolescence, there is a minor change to the Z Offset strap resistance compared to the earlier version of the device. A technical note on the change is attached herewithin, as Annexure-I.

For any technical queries, customers may reach out to [PlymouthSupport@Honeywell.com](mailto:PlymouthSupport@Honeywell.com).

If you require further information regarding this notice, please contact

- OEM Principal Accounts Manager, Kim Olson at [Kim.Olson@Honeywell.com](mailto:Kim.Olson@Honeywell.com)
- APAC Business Manager, Jon Tan at [Jon.Tan@Honeywell.com](mailto:Jon.Tan@Honeywell.com).
- Channel Partner Sales Director, Fred Duncan at [Frederick.Duncan@honeywell.com](mailto:Frederick.Duncan@honeywell.com)

We value your feedback, and would be happy to discuss any related issues. We appreciate your understanding and value your business with Honeywell.

Best Regards,

Jeevish G Gurumoorthi  
Honeywell Aerospace  
Sr. Offering Manager (Navigation & Sensors)  
Magnetic & Pressure Sensors PL  
[JeevishGlastine.Gurumoorthi@Honeywell.com](mailto:JeevishGlastine.Gurumoorthi@Honeywell.com)

## TECHNICAL NOTE

Honeywell is getting ready to restart production of the HMC1053 3-axis Magnetic Sensor. Due to the changes in the supply chain it became necessary to replace one of its internal components. As a result of this change the resistance value between the Pin 15 OFF+(A,B,C) and Pin 7 OFF-(C) changes from 15 to 8 Ohm. The Offset Constant for the C bridge (related to the current forced between these pins) changes from 11.5 mA/gauss to 10 mA/gauss.

Please see the schematic below that shows the affected component and the redlines for the proposed datasheet changes. The existing datasheet specification table for the HMC1051/HMC1052/HMC1053 products will be split in two: for the HMC1051/HMC1052 and for the HMC1053.

This change does not affect HMC1053 customers who don't use the Offset Strap functionality. Those customers that do use the Offset Straps most likely would not need to do any changes to their application circuits. The lower Offset Strap resistance and lower Offset Constant value can be considered as a beneficial change since it allows to achieve the same result with less applied current and thermal heating. Minor changes to operating procedures or control software might be needed.

Honeywell also changes the maximum allowable current for the Set/Reset Strap from 4 to 2 Amps. This change will be applied to the HMC1053 only. It is done to reduce the risk of overstressing the sensors. Practically, since the HMC1053 is typically used in low voltage applications with 3.3VDC or 5VDC supply, the maximum Set/Reset peak current is limited to less than 1.66 Amps.

For your reference, here is a description of the Offset Strap from the datasheet:

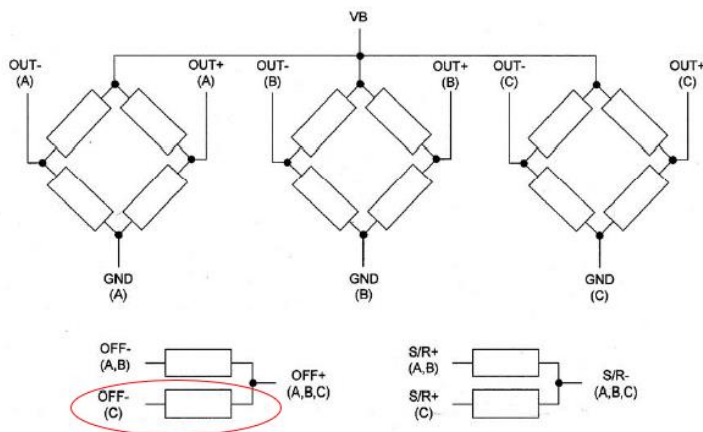
*"The offset strap is a spiral of metallization that couples in the sensor element's sensitive axis. In two-axis designs, the strap is common to both bridges and must be multiplexed if each bridge requires a different strap current. In three-axis designs (HMC1053), the A and B bridges are together with the C bridge sharing a common node for series driving all three bridges' offset straps. Each offset strap measures nominally 15 ohms, and requires 10mA for each gauss of induced field. The straps will easily handle currents to buck or boost fields through the  $\pm 6$  gauss linear measurement range, but designers should note the extreme thermal heating on the die when doing so.*

***With most applications, the offset strap is not utilized and can be ignored. Designers can leave one or both strap connections (Off- and Off+) open circuited, or ground one connection node. Do not tie both strap connections together to avoid shorted turn magnetic circuits."***

*"The offset strap allows for several modes of operation when a direct current is driven through it. These modes are: 1) Subtraction (bucking) of an unwanted external magnetic field, 2) nulling of the bridge offset voltage, 3) Closed loop field cancellation, and 4) Auto-calibration of bridge gain."*

<b>Set/Reset Strap</b>					
Resistance <sup>(2)</sup>	Measured from S/R+ to S/R-	3	4.5	6	ohms
Current <sup>(3)</sup>	0.1% duty cycle, or less, 2μsec current pulse	0.44	0.5	<del>4</del> 2	Amp
Resistance Tempco <sup>(3)</sup>	T <sub>A</sub> = -40 to 125°C		2350		ppm/°C
<b>Offset Strap</b>					
Resistance <sup>(2)</sup>	Measured from OFFSET+ to OFFSET-	12	15	18	Ohms
Resistance, A,B <sup>(2)</sup>	Measured from OFF+(A,B,C) to OFF-(A,B)	12	15	18	Ohms
Resistance, C <sup>(2)</sup>	Measured from OFF+(A,B,C) to OFF-(C)	5	8	11	Ohms
Offset Constant, A,B <sup>(3)</sup>	DC Current		11.5		mA/gauss
Offset Constant, C <sup>(3)</sup>	Field applied in sensitive direction		10		mA/gauss
Resistance Tempco <sup>(3)</sup>	T <sub>A</sub> = -40 to 125°C		3300		ppm/°C

### HMC1053



(A) (A)

### HMC1053 Pinout

