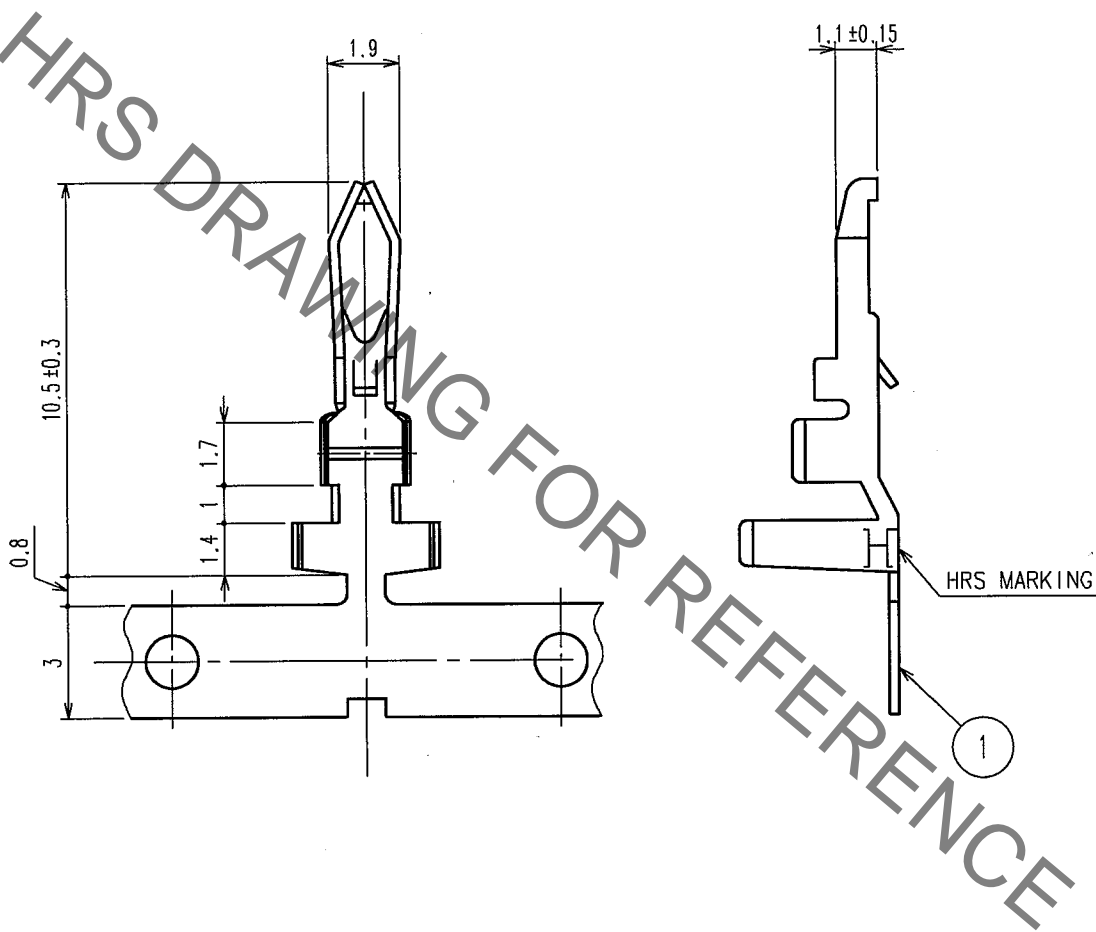


Aug.1.2019 Copyright 2019 HIROSE ELECTRIC CO., LTD. All Rights Reserved.
 In case of consideration for using Automotive equipment / device which demand high reliability, kindly contact our sales window correspondents.

1		2			3			4		
COUNT	DESCRIPTION OF REVISIONS	BY	CHKD	DATE	COUNT	DESCRIPTION OF REVISIONS	BY	CHKD	DATE	
△				..	△				..	
△					△				..	
△					△				..	



NOTES 1:THE SIZE RANGE WITHOUT SPECIFICATION IS SET TO ±0.2.
 2:APPLICABLE WIRE UL1015 18 TO 22 AWG.
 3:5000 PIECES PER REEL.

NO.	MATERIAL	FINISH, REMARKS	NO.	MATERIAL	FINISH, REMARKS
			1	BRASS	SURFACE:TIN PLATED 2μ m min UNDER PLATING:COPPER PLATED 0.5μ m min

CODE NO. (OLD)	DRAWN	DESIGNED	CHECKED	APPROVED	RELEASED
	F.Matsuki '04.04.16	H. Umehara '04.04.16	T. Ota '04.04.16	T. Ota '04.04.16	

 SACLE 5 : 1 UNITS mm	DRAWING NO.	PART NO.
	EDC4-081681-01	DF6A-1822PCF(05)
 HIROSE ELECTRIC CO.,LTD.	CODE NO.	1/1
	CL546-0013-0-05	

TO